

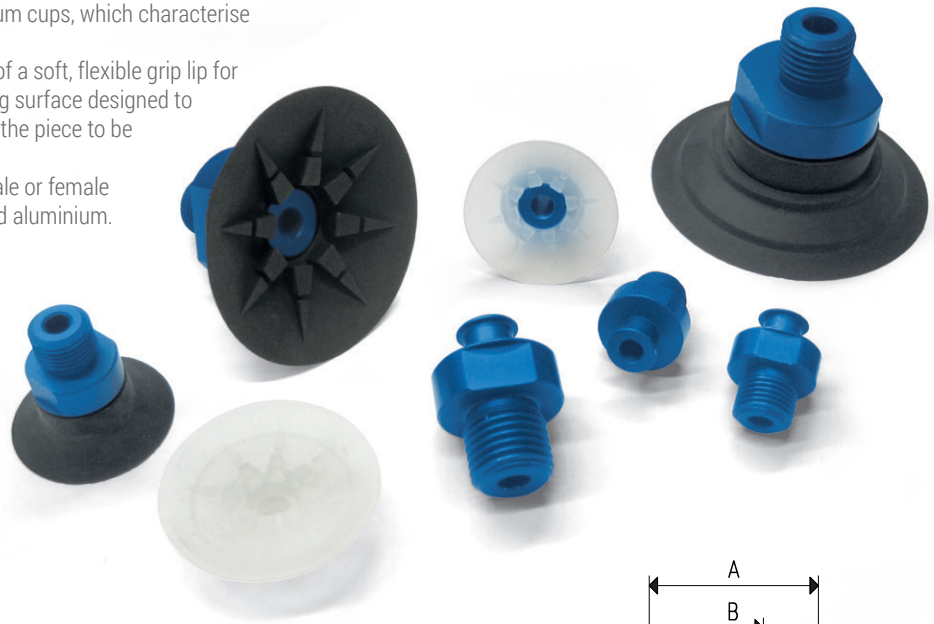


STAR VACUUM CUPS WITH MALE SUPPORTS

The SV series of vacuum cups (STAR VACUUM) has been developed for handling flat and flexible objects such as cardboard layering pads or thin metal sheets without deformation, by virtue of the rubber reinforcement sectors inside these vacuum cups, which characterise their star-shaped bearing surface.

They represent the perfect combination of a soft, flexible grip lip for the best surface adaptation and a bearing surface designed to ensure maximum stability and rigidity of the piece to be handled vertically or horizontally.

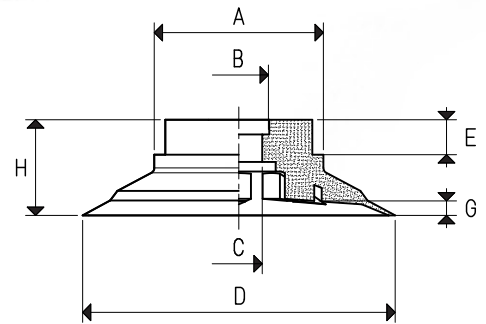
The vacuum cups can be fitted with a male or female threaded metal fixing support in anodised aluminium.



VACUUM CUPS

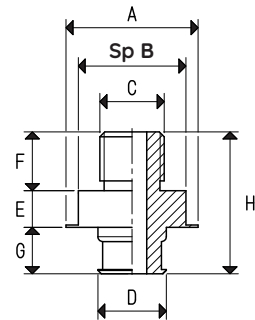
Item	Force Kg	A Ø	B Ø	C Ø	D Ø	E	G	H	Weight g
SV 20 SR *	0.95	14.2	6.0	5.0	22	4.5	1.0	8.0	1.4
SV 25 SR *	1.43	14.5	6.0	5.0	27	4.0	1.75	8.5	1.6
SV 30 SR *	2.00	16.0	6.0	5.0	32	4.0	1.75	10.3	2.3
SV 40 SR *	3.62	23.0	8.25	6.35	43	4.8	2.25	13.0	5.0
SV 50 SR *	5.51	32.0	12.25	10.5	53	7.5	2.70	16.5	11.0

* Complete the code indicating the compound: A= oil-resistant rubber; N= natural para rubber; S= silicone



MALE SUPPORTS

Item	A Ø	B	C Ø	D Ø	E	F	G	H	Support material	For vacuum cup item	Weight g
00 08 133	14.5	13	G1/8"	8.5	5.5	8	5.0	18.5	aluminium	SV 20 SR SV 25 SR SV 30 SR	3.5
00 08 135	20.0	17	G1/4"	10.0	7.5	12	7.5	27.0	aluminium	SV 40 SR	9.5
00 08 142	27.0	22	G1/4"	14.0	7.5	12	9.5	29.0	aluminium	SV 50 SR	15.7



VACUUM CUPS WITH MALE SUPPORT

Item	Force Kg	A Ø	B Ø	D Ø	F	H	Vacuum cup item	Support item	Weight g
SV 20 *	0.95	G1/8"	13	22	8	21.5	SV 20 SR	00 08 133	4.9
SV 25 *	1.43	G1/8"	13	27	8	22.0	SV 25 SR	00 08 133	5.1
SV 30 *	2.00	G1/8"	13	32	8	23.8	SV 30 SR	00 08 133	5.8
SV 40 *	3.62	G1/4"	17	43	12	32.5	SV 40 SR	00 08 135	14.5
SV 50 *	5.51	G1/4"	22	53	12	36.0	SV 50 SR	00 08 142	24.7

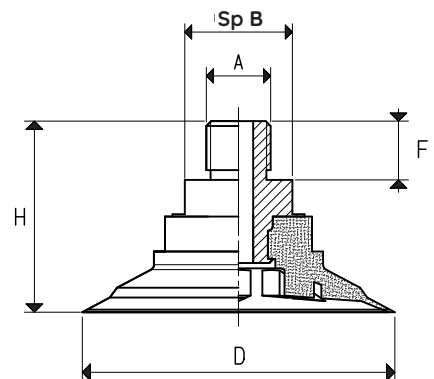
* Complete the code indicating the compound: A= oil-resistant rubber; N= natural para rubber; S= silicone

Note: The force of the vacuum cups indicated in the table represents 1/3 of the value of the theoretical force calculated at a level of vacuum of -75 KPa and a factor of safety 3.

Transformation ratio: N (newton) = Kg x 9.81 (force of gravity)

inch = $\frac{\text{mm}}{25.4}$; pounds = $\frac{\text{g}}{453.6} = \frac{\text{Kg}}{0.4536}$

Adapters for GAS - NPT threading available on page 1.130





STAR VACUUM CUPS WITH FEMALE SUPPORTS

3D drawings are available on vuotecnica.net

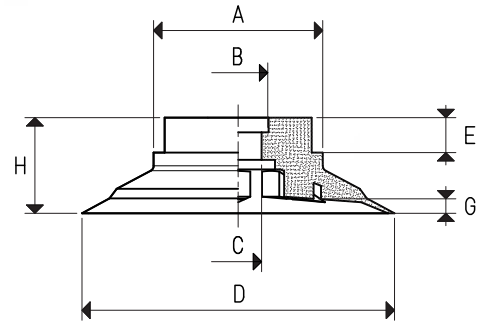
1



VACUUM CUPS

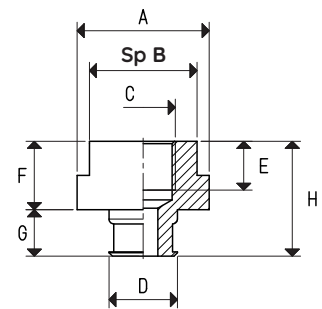
Item	Force Kg	A Ø	B Ø	C Ø	D Ø	E	G	H	Weight g
SV 20 SR *	0.95	14.2	6.0	5.0	22	4.5	1.00	8.0	1.4
SV 25 SR *	1.43	14.5	6.0	5.0	27	4.0	1.75	8.5	1.6
SV 30 SR *	2.00	16.0	6.0	5.0	32	4.0	1.75	10.3	2.3
SV 40 SR *	3.62	23.0	8.25	6.35	43	4.8	2.25	13.0	5.0
SV 50 SR *	5.51	32.0	12.25	10.5	53	7.5	2.70	16.5	11.0

* Complete the code indicating the compound: A= oil-resistant rubber; N= natural para rubber; S= silicone



FEMALE SUPPORTS

Item	A Ø	B	C Ø	D Ø	E	F	G	H	Support material	For vacuum cup item	Weight g
00 08 132	14.5	13	G1/8"	8.5	8	12	5.0	17.0	aluminium	SV 20 SR	3.8
										SV 25 SR	
										SV 30 SR	
00 08 134	20.0	17	G1/4"	10.0	10	14	7.5	21.5	aluminium	SV 40 SR	8.3
00 08 141	27.0	22	G1/4"	14.0	10	14	9.5	23.5	aluminium	SV 50 SR	19.7



VACUUM CUPS WITH FEMALE SUPPORT

Item	Force Kg	A Ø	B	D Ø	F	H	Vacuum cup item	Support item	Weight g
SV 20 F *	0.95	G1/8"	13	22	12	20.0	SV 20 SR	00 08 132	5.2
SV 25 F *	1.43	G1/8"	13	27	12	20.5	SV 25 SR	00 08 132	5.4
SV 30 F *	2.00	G1/8"	13	32	12	22.3	SV 30 SR	00 08 132	6.1
SV 40 F *	3.62	G1/4"	17	43	14	27.0	SV 40 SR	00 08 134	13.3
SV 50 F *	5.51	G1/4"	22	53	14	30.5	SV 50 SR	00 08 141	30.7

* Complete the code indicating the compound: A= oil-resistant rubber; N= natural para rubber; S= silicone

Note: The force of the vacuum cups indicated in the table represents 1/3 of the value of the theoretical force calculated at a level of vacuum of -75 KPa and a factor of safety 3.

Transformation ratio: N (newton) = Kg x 9.81 (force of gravity)

inch = $\frac{\text{mm}}{25.4}$; pounds = $\frac{\text{g}}{453.6} = \frac{\text{Kg}}{0.4536}$

Adapters for GAS - NPT threading available on page 1.130

